

# StarBoard F-75/F-60

---

## User's Guide

### How to Request a User's Guide

When requesting a separate copy of this user's guide, specify **T253-2-001 (Y)**.

**Read this user's guide and carefully retain it for future reference.**  
**Before using this product, carefully read and fully understand the safety instructions.**  
**Store this user's guide nearby for ease of reference.**

T253-2-001 (Y)

Hitachi Software Engineering Co., Ltd.



## **Notices**

Reproduction or reprinting, without permission, of this manual or any part thereof is prohibited.

The contents of this manual are subject to change without prior notice.

Every effort has been made to ensure that this manual is complete and correct. However, should any questionable points, mistakes, etc., come to your attention, please inform the vendor.

Please be advised in advance that this company will assume no responsibility for losses, etc., resulting from the operation of this product, regardless of the preceding clauses.

## **Disclaimers**

Hitachi Software Engineering Co., Ltd. assumes no liability and makes no warranty, either express or implicit, regarding the contents of this user's guide.

Also, the company makes no warranty as to the product's suitability, merchantability or fitness for a particular intended use.

All products of Hitachi Software Engineering Co., Ltd., described in this user's guide are presently for sale or are site-licensed.

Users who purchased the aforesaid product(s) will bear the costs of all required services, repairs, and damages resulting from defects in this product, and will bear the costs of direct or indirect damages (including the loss of profits or required information) that resulted from the product defects.

Moreover, Hitachi Software Engineering Co., Ltd., retains the right to revise this user's guide and to modify the contents thereof, without any obligation to notify anyone.

## **Product Assurance Provisions**

This product is limited to use in the European Union markets.

For warranty details, refer to Appendix B at the end of this user's guide.

This first edition of the user's guide (T253-2-001 (Y)) is for the following products:

K-W033-012 (StarBoard F-75 (Wireless))

K-W033-014 (StarBoard F-60 (Wireless))

K-W033-021 (F-75/F-60 Stand)

K-W033-022 (F-75/F-60 Projection Pen)

The StarBoard F-75 and StarBoard F-60 incorporates FreeBeam technology licensed from Interlink Electronics, Inc.

FreeBeam is a trademark of Interlink Electronics, Inc.

Windows, Windows 98, Windows 98 SE, Windows 2000, Windows Me, and Windows XP are trademarks of Microsoft Corporation (U.S.) and in other countries.

Other trademarks and product names are trademarks and/or registered trademarks of their respective holders.

### **Manual Creation Dates**

May 2003, First Edition

**T253-2-001 (Y)**

All Rights Reserved. Copyright © 2003 Hitachi Software Engineering Co., Ltd.

## Safe Handling

### Markings and Symbols

Various markings and symbols are used in this user's guide and on this product, to ensure the safe and correct use of this product and to prevent personal injury and property damage. These symbols and their meanings are as explained below. Understand the information well before reading the body of the user's guide.



#### **WARNING**

This symbol indicates information that, if ignored or applied incorrectly, creates the possibility of death or serious personal injury.



#### **CAUTION**

This symbol indicates information that, if ignored or applied incorrectly, might result only in personal impairment or physical damage.

#### **CAUTION**

This symbol indicates information that, if ignored or applied incorrectly, might result in physical hazard or abnormal operation.



This symbol draws attention to cautions (including warnings).



This symbol indicates something prohibited.



This symbol indicates something that must be done.

## Safety Precautions

Always comply with them.

### WARNINGS

#### Securely insert the power plug into the mains.



If it is not plugged in securely, overheating will occur, possibly resulting in electric shock or fire.

#### Before moving this product, detach the power plug and the mains lead.



The mains lead might be damaged, possibly resulting in electric shock or fire.

#### Do not plug in the power plug with a wet hand.



Electric shock will result.

#### When plugging in or unplugging the power plug, hold the plug.



If the mains lead is pulled, it might be damaged, possibly resulting in electric shock or fire.

#### Before cleaning this product, unplug the power plug.



Electric shock sometimes results.

#### Periodically clean the power plug to remove dust.



If a dirty plug is plugged into a mains, fire or electric shock might result.

#### Do not use this product near water.



Electric shock will result.

#### Be careful about the locations of the mains lead, etc.



The mains lead might trip someone, possibly causing the product to fall, etc., thereby causing injury or product failure. Be careful with their locations.

#### Do not damage, break, process, or forcibly bend the mains lead.



The mains lead will be damaged, resulting in fire or electric shock.

#### Use the product at the indicated power supply voltage.



If the product is used at a power supply voltage other than the one indicated, it would fail, resulting in fire or electric shock.

## Safety Precautions

Always comply with them.

### WARNINGS

**Do not use a mains lead other than the accessory mains lead.**



If a mains lead other than the accessory mains lead is used, fire or electric shock might result.

**Only place specified objects on this product.**



If a liquid or a metal object enters this product, electric shock or fire might result.



If either should enter, unplug the power plug from the mains and contact your dealer.

**Do not use this product in a location with high temperature or high humidity.**



This product's usage environment conditions:  
Temp.: 50 °F to 95 °F  
Humidity: 20% to 80%  
(But no condensation must be allowed to form.)

**Do not open or alter the cabinet of this product.**



The cabinet contains high-voltage areas, so electric shock or other injury will result.



**Do not leave this product or any of its accessories on the floor.**



Someone might step on it and break it, or might be injured by tripping on it.

**When discarding this product, treat it as industrial waste.**



**Do not place a heavy object on the mains lead, heat or pull it.**



The mains lead will be damaged, causing fire or electric shock.

**Safety Precautions**

Always comply with them.

**WARNINGS**

**In the following cases, unplug the product from the mains and ask the dealer.**

- a. After the mains lead or power supply plug is damaged.
- b. After a liquid is spilled onto the main unit.
- c. After the main unit is exposed to rain or water.
- d. After this product malfunctions, even when operated according to the instruction manual. Adjust this product within the ranges specified in the instruction manual. Do not make other adjustments. A qualified service representative is required to correct improper adjustments.
- e. After this product falls or after its cabinet is damaged.
- f. After the functionality of this product changes and repair by a service representative is considered necessary.



Careful thought was given to the cautions on this device and in this user’s guide. However, unanticipated circumstances might occur. When operating this product, users themselves must exercise caution as well as follow instructions.

 **CAUTIONS**

Caution Details	Page(s)
<p><b>Fasten the screws tightly.</b>                      Otherwise, the stand might fall and cause injury or the impact of the falling board might cause damage.</p>	P.1-6
<p><b>This work should be performed by at least two people.</b>                      The board might fall and cause injury or its impact might cause damage.</p>	P.1-7 P.1-8 P.1-10
<p><b>Fasten the screws tightly.</b>                      The board might fall and cause injury or its impact might cause damage.</p>	P.1-7 P.1-8
<p><b>Before installation, take the wall material into consideration.</b>                      If it is installed by using a method inappropriate for the wall material, the board might fall.                      Also, installation might be impossible, depending on the wall selected. For details, consult your dealer.</p>	P.1-9
<p><b>Before installation, take the wall strength into consideration.</b>                      Before using the StarBoard, make sure that it has been fastened securely so that it will not fall. Also verify that the wall mounting bracket is strong enough to support a weight of approximately 88.2lb. /40 kg.</p>	P.1-9
<p><b>Be sure to orient the battery correctly.</b>                      Do not reverse the + and – terminals of the battery, and use only the specified type of battery. Otherwise, it will overheat and fail.</p>	P.2-1
<p><b>Be sure to insulate battery before discarding it.</b>                      Before discarding the AA battery, be sure to insulate the + and – terminals with cellophane tape, or similar material. If batteries are discarded without insulation, they might short or overheat, rupture, and ignite, resulting in injury or fire. Also, dispose of them as instructed by the local authorities.</p>	P.2-1

**Contents**

<b>1. Introduction .....</b>	<b>1-1</b>
1.1 Parts Check .....	1-1
1.1.1 StarBoard .....	1-1
1.1.2 Stand .....	1-2
1.2 Role of Each Part .....	1-3
1.2.1 StarBoard .....	1-3
1.2.2 Electronic Pen .....	1-5
1.2.3 USB wireless receiver .....	1-5
1.3 Assembly and Setup .....	1-6
1.3.1 Stand Setup Method .....	1-6
1.3.2 Wall-Mounting Setup Method .....	1-9
1.3.3 How to Connect When Using the Projection Mode .....	1-11
1.3.4 Installing the StarBoard Software .....	1-12
<b>2. Usage .....</b>	<b>2-1</b>
2.1 Basic Usage .....	2-1
2.1.1 Preparation .....	2-1
2.1.2 How to Use the Electronic Pen .....	2-2
2.1.3 Basic operation of Electronic Pen .....	2-3
2.1.4 Customising the Electronic Pen .....	2-3
2.2 How to Use the StarBoard in the Projection Mode .....	2-6
<b>3. Appendix .....</b>	<b>3-1</b>
A System Specifications .....	3-1
B Provisions of Product Warranty .....	3-2

# 1. Introduction

## 1.1 Parts Check

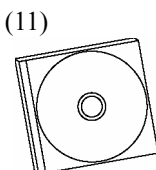
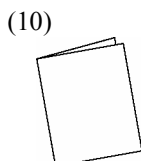
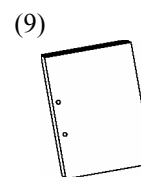
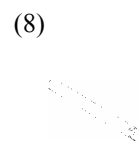
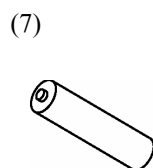
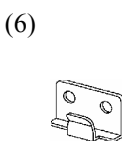
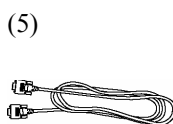
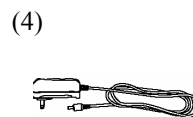
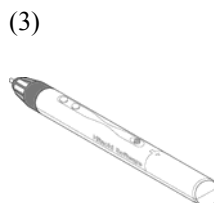
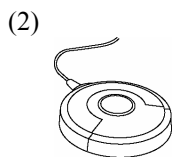
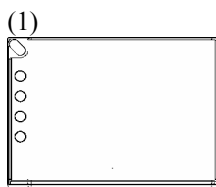
After unpacking, make sure that all of the following parts are present.

### 1.1.1 StarBoard

(1) Parts

No.	Name	Qty.
(1)	Board	1
(2)	USB wireless receiver unit	1
(3)	Electronic pen	1
(4)	Power Supply	1
(5)	Serial cable (7m)	1
(6)	Wall mounting bracket	2
(7)	AA alkaline Battery	2
(8)	Tip of Electronic pen	2
(9)	User's Guide (this manual)	1
(10)	Warranty Sheet	1
(11)	StarBoard Software (CD-ROM)	1

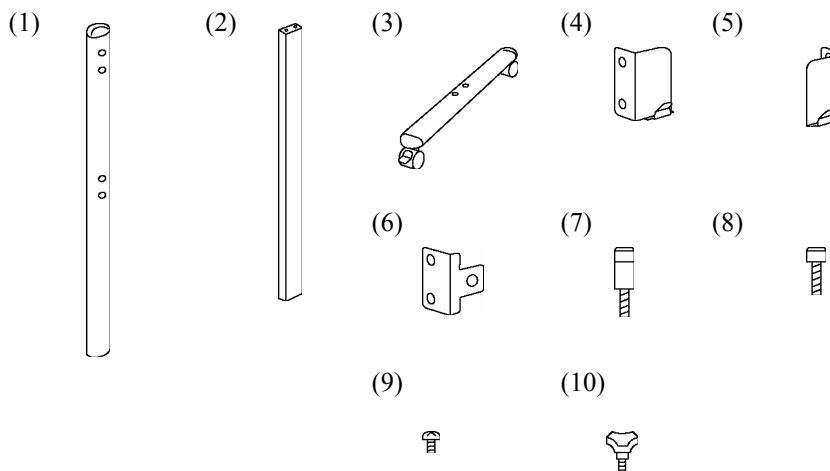
(2) is bundled only if the StarBoard F-75 (Wireless) or StarBoard F-60 (Wireless) is purchased.



1.1.2 Stand

(1) Parts

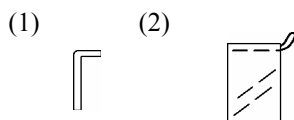
No.	Name	Qty.
(1)	Stand vertical support	2
(2)	Stand crossbar	2
(3)	Stand foot with casters	2
(4)	Board receiving bracket (left-hand version)	1
(5)	Board receiving bracket (right-hand version)	1
(6)	Board fixing bracket	2
(7)	Hex socket head cap screw, with collar	8
(8)	Hex socket head cap screw	4
(9)	Panhead screw	8
(10)	Triangular knob screw	2



(2) Accessories

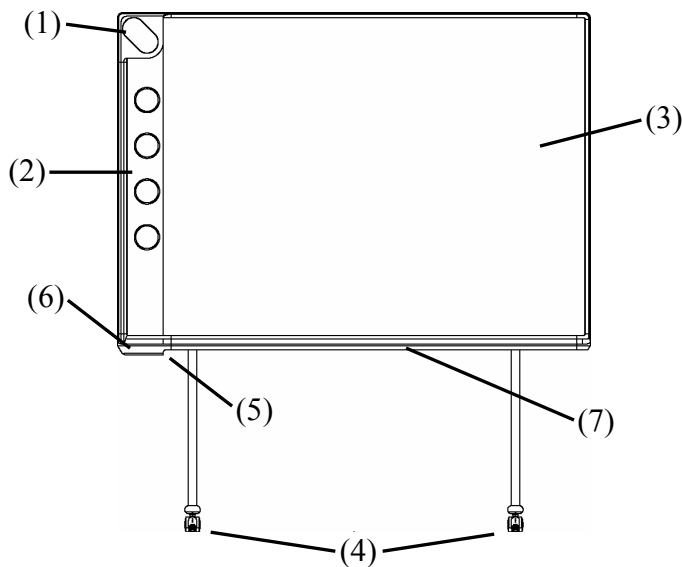
No.	Name	Qty.
(1)	Allen wrench	1
(2)	Allen wrench holder	1

(2) is used to prevent the loss of the Allen wrench. Hang it in the appropriate place on the stand.



1.2 Role of Each Part

1.2.1 StarBoard



(1) Digitiser

Receives information regarding annotations and graphics drawn with the electronic pen, and transmits this data to the PC. Green light indicates a wired connection, and red light indicates a wireless connection.

(3) Pen Input Active Area

Annotations and graphics drawn in this area are stored into the PC. When using the StarBoard in the Projection Mode, confine to this area the images projected by the projector.

(2) Function Area

Buttons that shortcut the functions used frequently in an application are located here.



**Printing**

Prints the information drawn with the electronic pen.



**Add New Page**

Adds a new page.



**Next**

Go to next page

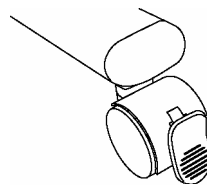


**Back**

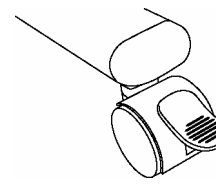
Go to previous page

(4) Casters

Casters are used to move the StarBoard. After setting up the StarBoard, lock the casters. Lift up the tab to unlock a caster, and press down the tab to lock it.

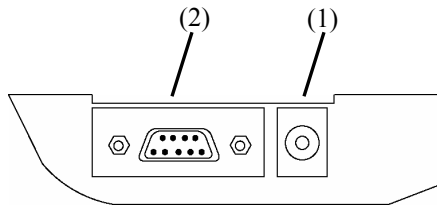


**Locked**



**Unlocked**

## (5) Terminal Panel



## (1) Power supply connector

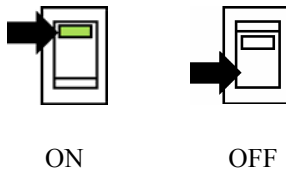
Connect the AC adapter to this terminal.

## (2) Serial connector

When the StarBoard and the PC are connected by wired connection, one end of the serial cable is connected to this terminal.

(Serial cable connection → See pages 1-11 and 1-12.)

## (6) Power Switch



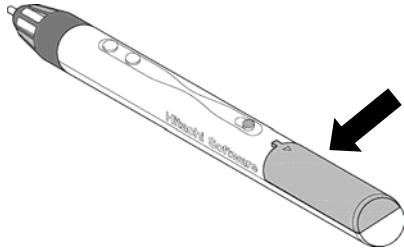
This is the power switch for the StarBoard. Toggle it up to turn on the power, and toggle it down to turn off the power.

When the power goes on, the LED indicates on.

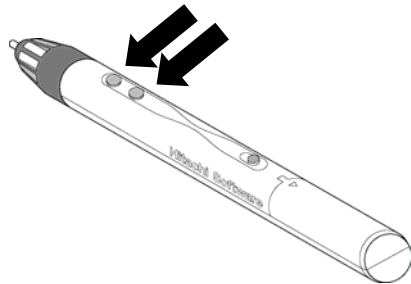
## (7) Pen tray

The pen tray holds electronic pens, erasers, Dry-Erase marker pens, etc.

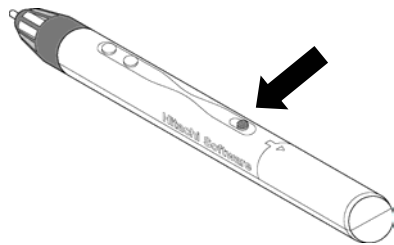
## 1.2.2 Electronic Pen



- (1) Battery cover  
When replacing the battery, open this and replace.

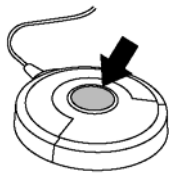


- (2) Side buttons  
Please see page 2-5.



- (3) Electronic pen power switch  
Please see page 2-2.

## 1.2.3 USB wireless receiver



- (1) Indicator Lamp  
Displays the status of the USB wireless receiver. The lamp is red when the USB wireless receiver is in the standby state and green during data transmission. When the indicator is red, normal communication is not being performed, so move it to within 7m (23feet) of the digitiser, in the digitiser's line of sight, so that the indicator turns green.  
(This is available only when the StarBoard (wireless) is purchased.)

### 1.3 Assembly and Setup

When setting up the StarBoard, keep the following in mind:

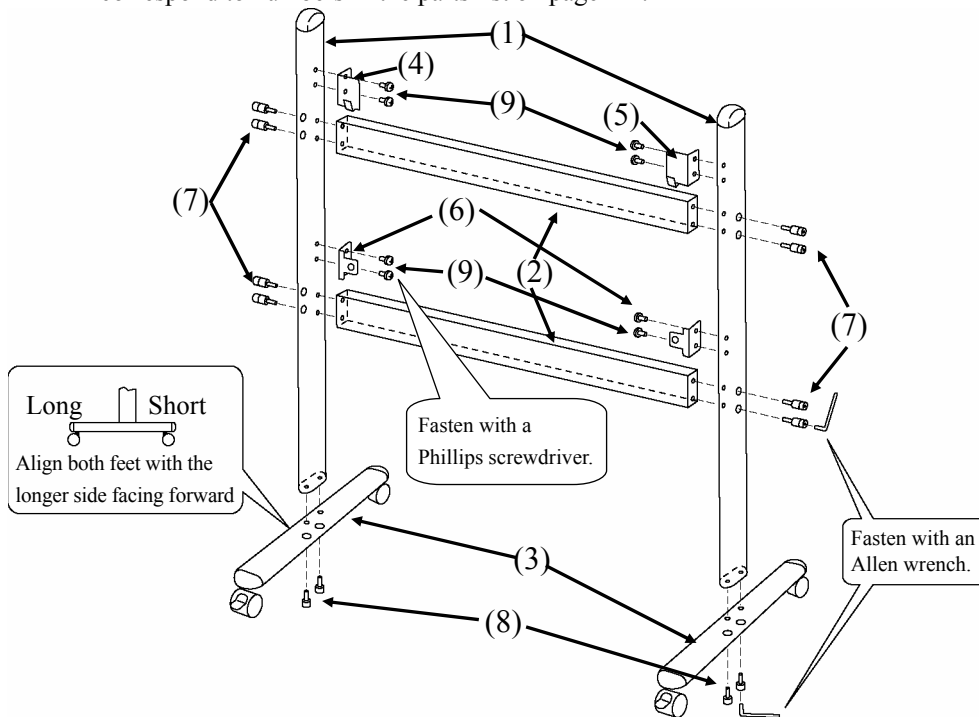
- Select a level and stable position.
- Do not set it up near equipment that might generate electromagnetic waves and radio frequencies (e.g., radio transmitter, television, copying machine, air conditioner).
- Avoid locations that are dusty, that are subject to extremely high or low temperature or humidity or that are exposed to direct sunlight.

#### 1.3.1 Stand Setup Method

Reconfirm that all parts are present before assembling and setting up the stand.

##### (1) Stand Assembly

Assemble the stand according to the following diagram. Numbers in the diagram correspond to numbers in the parts list on page 1-2.



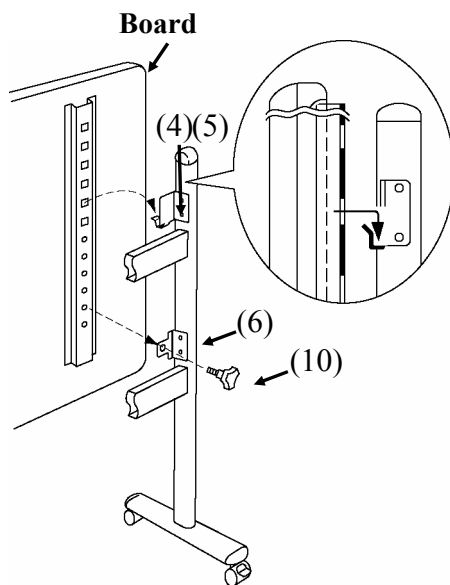
**⚠ CAUTION**

**Fasten the screws tightly.**  
 Otherwise, the stand might fall and cause injury or the impact of the falling board might cause damage.



## (2) Board Installation

Install the board on the stand assembled in step (1). Install the board according to the following procedure. Furthermore, this step should be performed by at least two people. Numbers in the diagram correspond to numbers in the parts list on page 1-2.



- (a) Decide the level (out of six) at which the board will be installed, and use the square holes on the back of the board to hang it on the board receiving brackets.
- (b) Verify that one of the board's square holes is attached securely to the board receiving bracket on each side.
- (c) Tighten triangular knob screw to fasten the board to the board fixing bracket on each side.

 **CAUTION****This work should be performed by at least two people.**

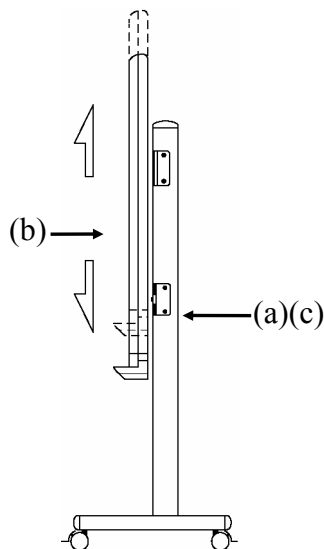
The board might fall and cause injury or its impact might cause damage.

**Fasten the screws tightly.**

The board might fall and cause injury or its impact might cause damage.

(3) Height Adjustment

The StarBoard can be positioned at six height levels. Adjust the height according to the following procedure. Furthermore, this work should be done by at least two people.



(a) Remove the triangular knob screw at the bottom of each side.

(b) Raise the board and re-hang it by attaching the square holes for the desired height to the receiving brackets.

(c) Fasten the triangular knob screw at the bottom of each side.

 **CAUTION**

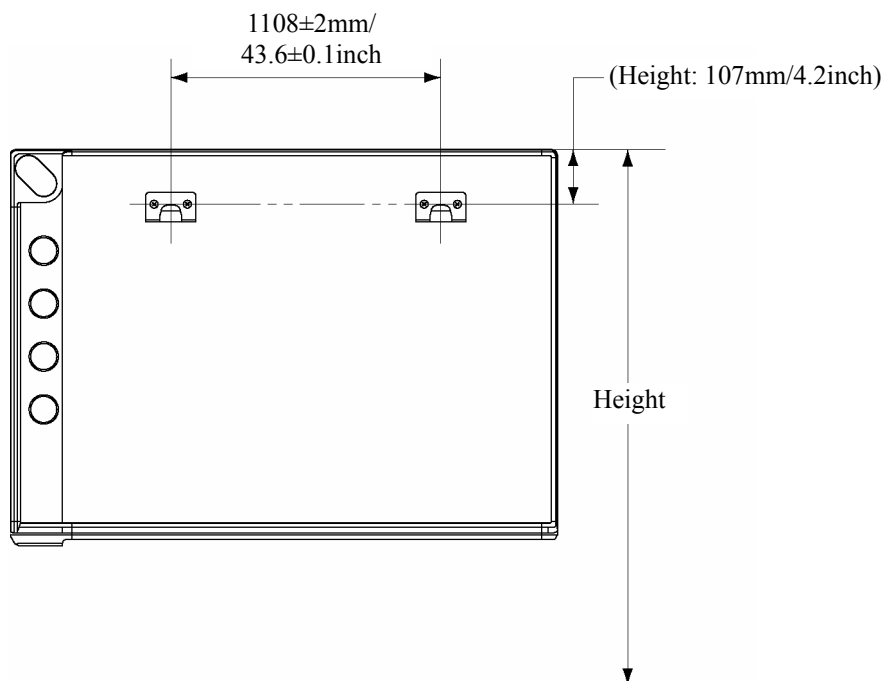
**Fasten the screws tightly.**  
The board might fall and cause injury or its impact might cause damage.

**This work should be performed by at least two people.**  
The board might fall and cause injury or its impact might cause damage.

## 1.3.2 Wall-Mounting Setup Method

- (1) Install the mounting brackets.

Determine the height at which the board will be installed, and install the brackets at the positions shown in the following diagram.

**CAUTION****Before installation, take the wall material into consideration.**

If it is installed by using a method inappropriate for the wall material, the board might fall.

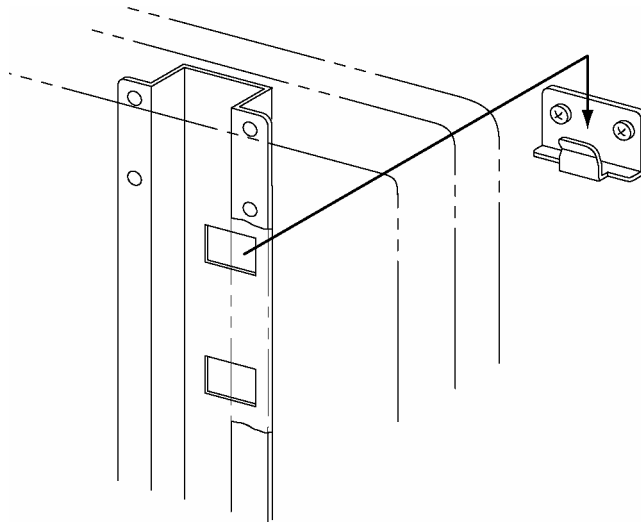
Also, installation might be impossible, depending on the wall selected. For details, consult your dealer.

**Before installation, take the wall strength into consideration.**

Before using the StarBoard, make sure that it has been fastened securely so that it will not fall. Also verify that the wall mounting bracket is strong enough to support a weight of approximately 88.2lb. /40 kg.

## (2) Board Installation

Connect each mounting bracket to the top square hole in the board receiving bracket located at the back of the board on both sides.



 **CAUTION**

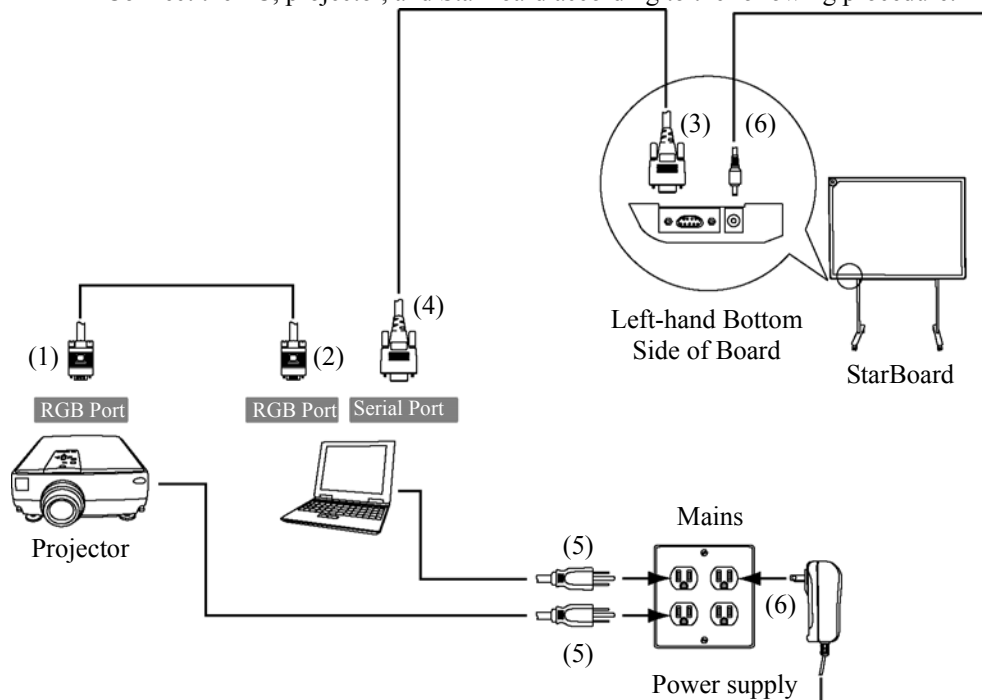
**This work should be performed by at least two people.**

The board might fall and cause injury or its impact might cause damage.

## 1.3.3 How to Connect When Using the Projection Mode

## (1) How to connect when using a serial cable (i.e., Wired Mode)

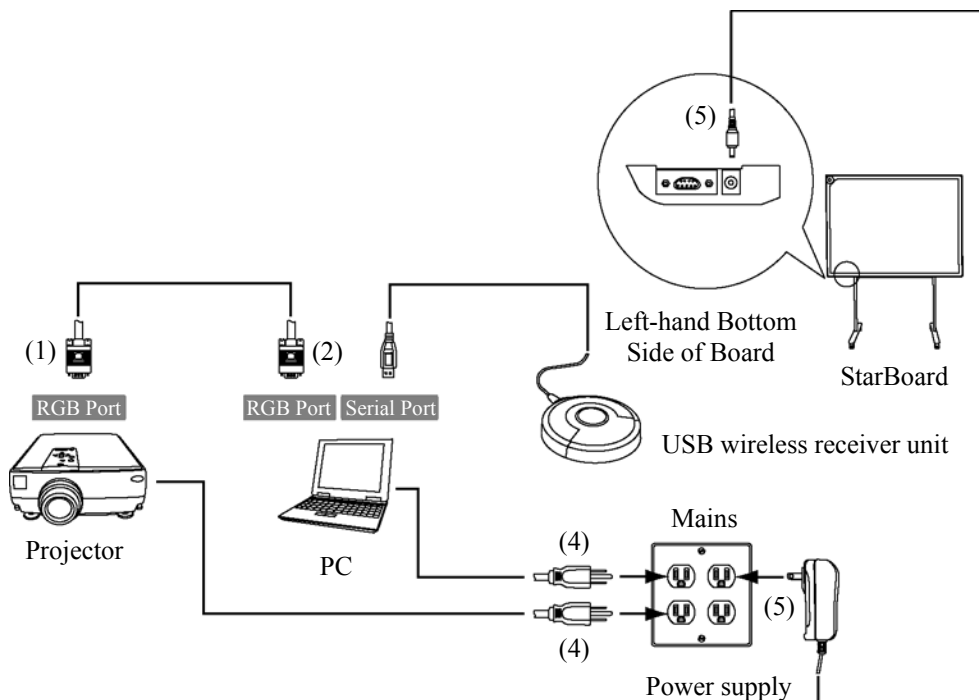
Connect the PC, projector, and StarBoard according to the following procedure.



- (1) Connect the RGB cable to the projector's RGB terminal, and fasten with the integral screws.
- (2) Connect the opposite side of the RGB cable connected in step (1) to the PC's RGB terminal, and fasten with the integral screws.
- (3) Connect the serial cable to the serial terminal on the side of the StarBoard, and fasten with the integral screws.
- (4) Connect the opposite side of the serial cable connected in step (3) to the PC's serial terminal, and fasten with the integral screws.
- (5) Connect the power supplies of the PC and the projector to the mains.
- (6) Connect the plug side to the power supply terminal on the side of the StarBoard, and connect the Starboard power supply to the mains.

## (2) How to connect when using the USB wireless receiver (i.e., Wireless Mode)

Connect the PC, projector, and StarBoard according to the following procedure (only if the wireless unit is purchased with the StarBoard).



- (1) Connect the RGB cable to the projector's RGB terminal, and fasten with the integral screws.
- (2) Connect the other end of the RGB cable connected in step (1) to the PC's RGB terminal, and fasten with the integral screws.
- (3) Connect the USB wireless receiver unit to the PC's USB terminal.
- (4) Connect the power supplies of the PC and the projector to the mains.
- (5) Connect the plug side to the power supply terminal on the side of the StarBoard, and connect the Starboard power supply to the mains.

#### 1.3.4 Installing the StarBoard Software

Install the StarBoard Software that is included in the package. Insert the StarBoard Software CD-ROM into the CD-ROM drive of the PC which is connected to the StarBoard. Continue installation by following the instructions displayed on the screen.

## 2. Usage

### 2.1 Basic Usage

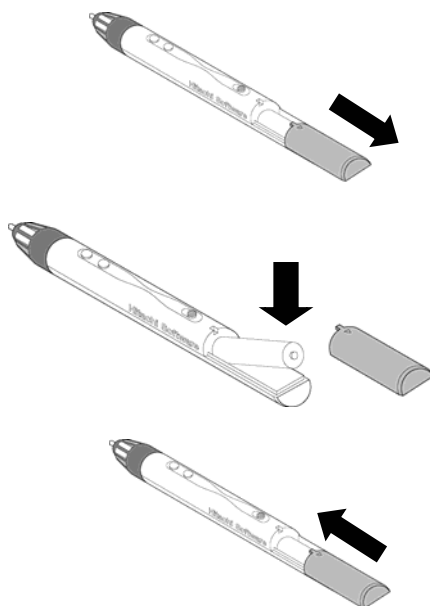
In this chapter, the basic usage of the StarBoard will be explained.

Read this section carefully to learn about the StarBoard functions.

#### 2.1.1 Preparation

Prepare to use the StarBoard.

- (1) Insert the battery into the electronic pen.



- (1) Open the battery cover on the electronic pen by moving in the direction of the arrow.

- (2) As shown in the figure, insert the battery after verifying that the “+” side faces away from the pen tip.

- (3) Replace the battery cover and slide it in the direction of the arrow until it closes completely.



### CAUTION

#### **Be sure to orient the battery correctly.**

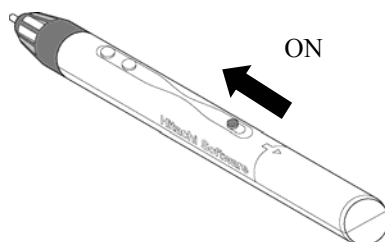
Do not reverse the + and – terminals of the battery, and use only the specified type of battery. Otherwise, it will overheat and fail.

#### **Be sure to insulate the battery before discarding it.**

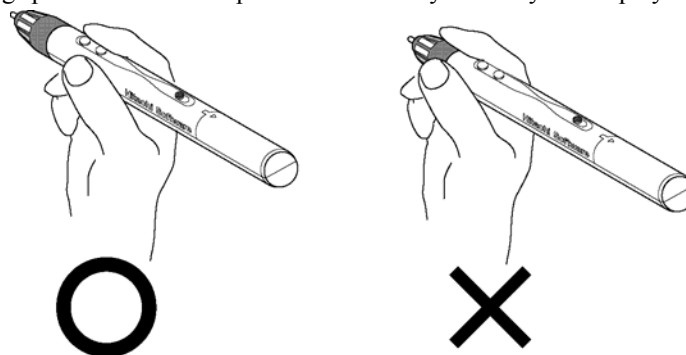
Before discarding the AA battery, be sure to insulate the + and – terminals with cellophane tape, or similar material. If batteries are discarded without insulation, they might short or overheat, rupture, and ignite, resulting in injury or fire. Also, dispose of them as instructed by the local authorities.

## 2.1.2 How to Use the Electronic Pen

To draw annotations and graphics with the electronic pen, first ensure the pen is switched on by sliding the ON/OFF switch towards the tip of the pen as shown in the diagram below and press the tip of the electronic pen against the StarBoard and then move the electronic pen. To stop drawing, lift the electronic pen from the board surface. Note the following two points regarding the use of the electronic pen:



- (1) When drawing with the electronic pen, apply force sufficient enough to cause the pen tip to sink completely into the electronic pen. When information from the pen is being transmitted normally, a slight buzzing sound is audible from the pen.
- (2) A miniature transmitter is embedded in the tip of the electronic pen. When drawing annotations or graphics while holding the electronic pen below the colour ring, the drawing data from the electronic pen sometimes is not transmitted correctly. If the annotations and graphics drawn on the whiteboard are not stored correctly to the PC, change your grip on the electronic pen and then verify that they are displayed correctly.

**Blocking of Infrared Beam**

In the mechanism of this device, the pen coordinates are detected after the digitiser reads the infrared beam emitted by the pen and the ultrasonic signals. So, if the electronic pen or the digitiser is blocked, normal input becomes impossible. Avoid blocking them during use. Also, when it is used with the optional wireless unit, the digitiser also functions as a wireless transmitter, so avoid blocking the digitiser front and the wireless receiver.



### 2.1.3 Basic operation of Electronic Pen

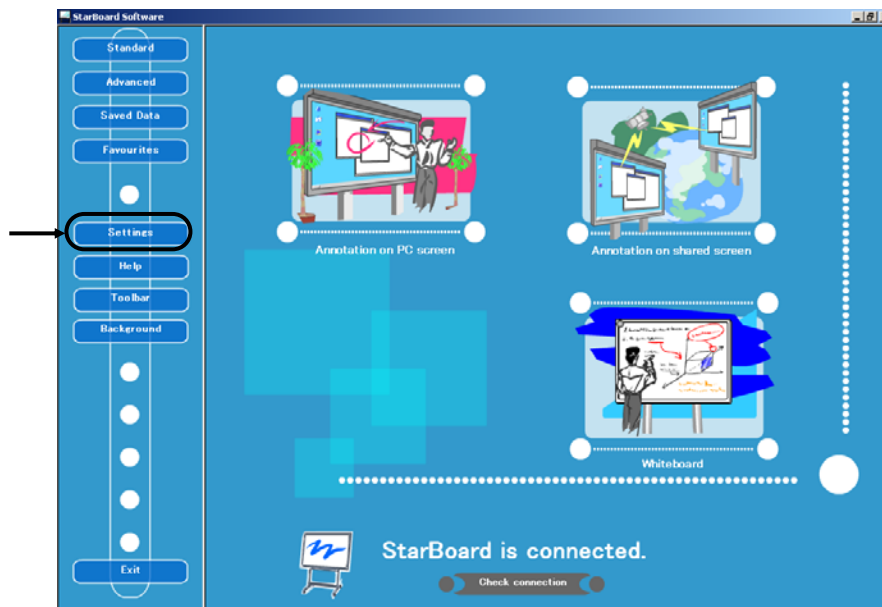
In the default setting of the electronic pen, the pen tip is set to emulate the left click button of a mouse. While Windows is in operation, the following mouse operations can be performed using the pen tip button.

- Click  
Push the pen tip onto the StarBoard with sufficient force and then release the pen away from the board.
- DoubleClick  
Perform the “Click” operation explained above twice in the same spot.
- Drag  
Push the pen tip onto the starboard with sufficient force, and without releasing it away from the board, move it from one point to another.

### 2.1.4 Customising the Electronic Pen

The electronic pen has one button operated by pressing the pen tip, and two on the side. The function of the pen tip cannot be changed. This section explains how to set and customise the two side buttons.

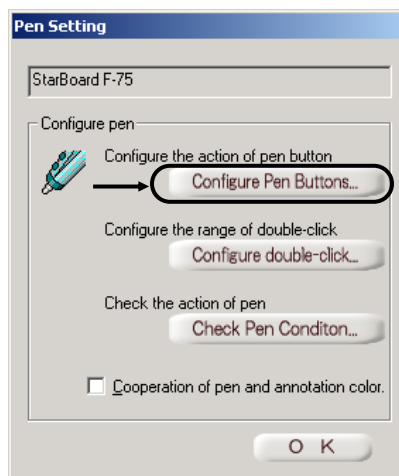
#### (1) Click Settings on the Main Menu



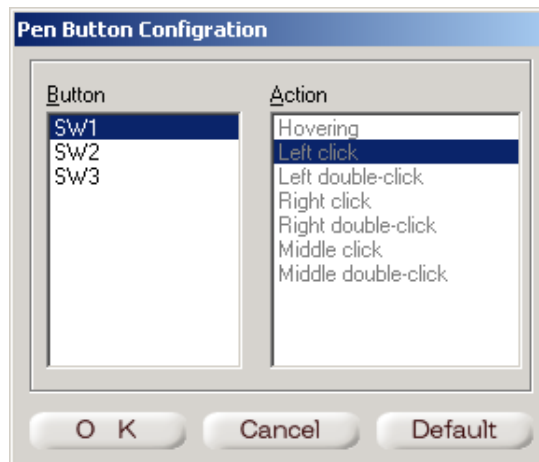
(2) Select “Pen Settings” from the “Settings” window.



(3) Select “Configure Pen Buttons...” from the “Pen Settings” window.



(4) Customise side button settings.



(5) In this window, the function of the side button can be selected.

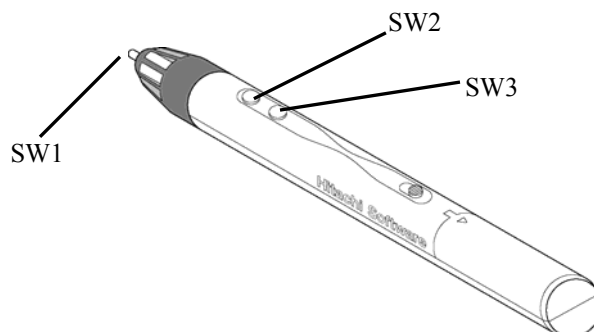
The items that can be set to the pen buttons are as follows.

Action = How the buttons operate.

Button Names: SW1 = Pen tip

SW2 = Side button closer to pen tip,

SW3 = Side button further away from pen tip.



The functions of the buttons are as follows. Functions that are not listed in the chart below may not be operable.

Hovering	= Operation of mouse cursor only
Left click	= Left button click of mouse
Left Double Click	= Left button double click of mouse
Right click	= Right button click of mouse
Right Double Click	= Right button double click of mouse
Middle Click	= Middle click of mouse
Middle Double Click	= Middle button double click of mouse

The default settings of the pen buttons are as follows.

Button Name	Function
SW1	Left click of mouse
SW2	Hovering
SW3	Right click of mouse

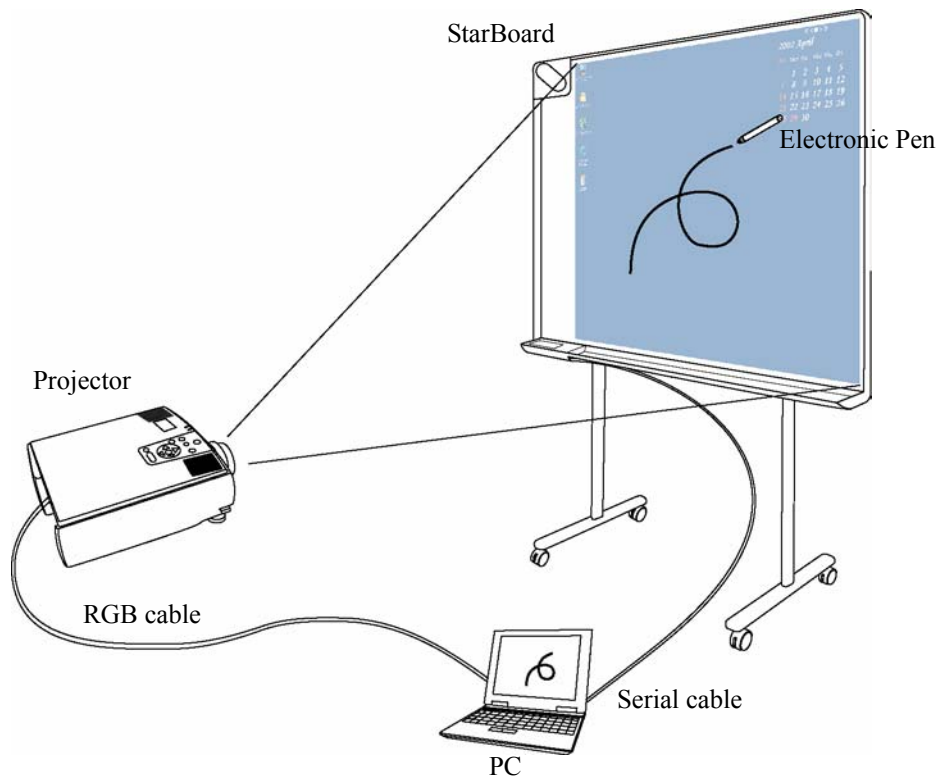
Follow these instructions to change button settings.

- (1) Select the button (SW2, SW3) to set (SW1 cannot be set to any other function besides left click).
- (2) Select function of the selected button.
- (3) Click "OK".

### 2.2 How to Use the StarBoard in the Projection Mode

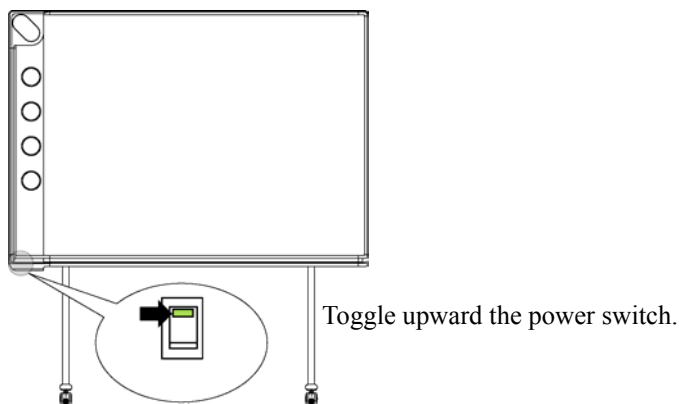
In the Projection Mode, the PC screen is projected onto the whiteboard by a projector, and the electronic pen is used to draw annotations and graphics on the PC screen.

A separate projector is required to use the Projection Mode.



Start the StarBoard according to the following procedure:


- (1) Power up the StarBoard.

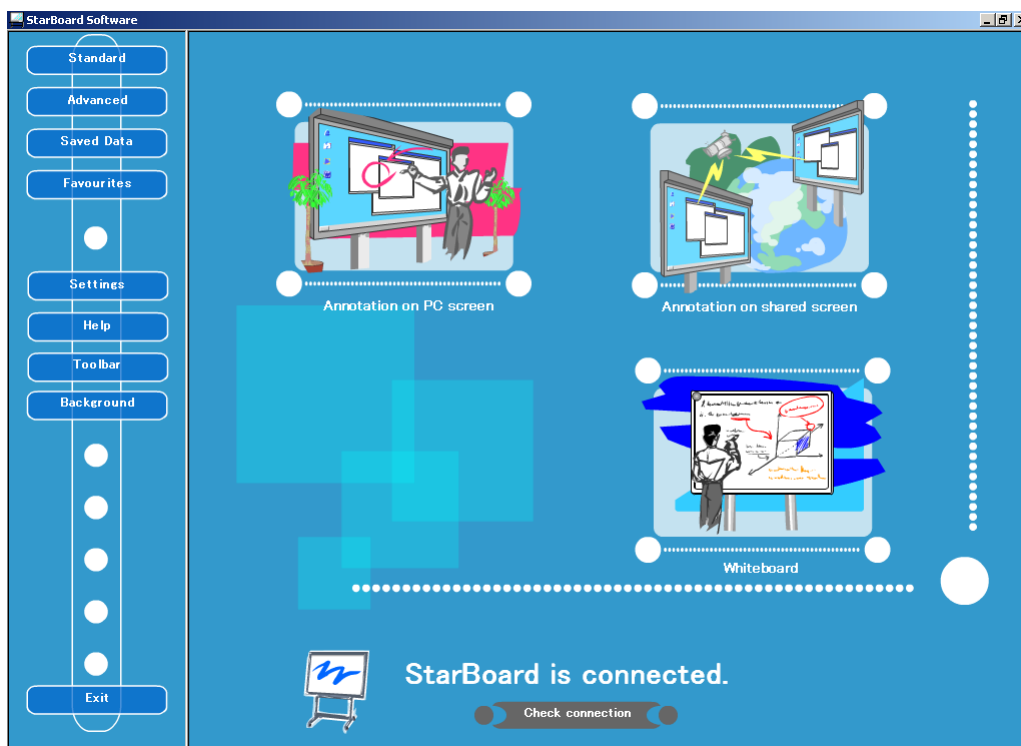


- (2) Power up the projector.

- (3) Power up PC to start up Windows.
- (4) Adjust the position of the projector so that the Windows screen projected by the projector is within the pen input active area (see page 1-3).
- (5) The StarBoard Software starts up automatically. (If Startup was not checked during installation the StarBoard Software will not start up even after Windows starts. In that case, manually start up the StarBoard Software.)

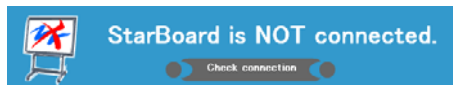
**Manual Startup Procedure**

Either select **Start** → **Program** → **StarBoard Software** →  **StarBoard Software**, or double-click the StarBoard Software icon on the desktop. (The StarBoard Software icon is not created on the desktop unless the Desktop checkbox is selected during installation).

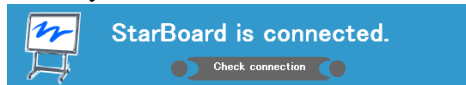


Main Screen of StarBoard Software

If the following message is displayed at the bottom of the screen, the StarBoard Software failed to detect the StarBoard:

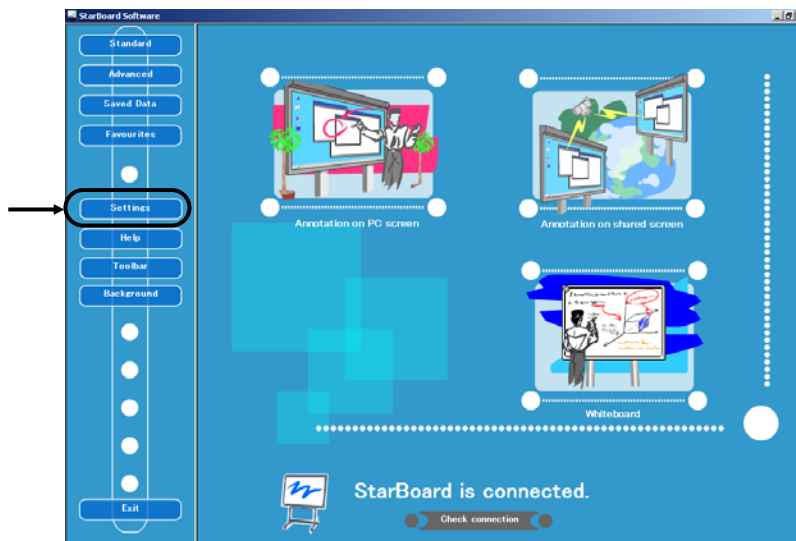


Verify that the StarBoard's power is on and that the StarBoard and PC are connected correctly. The displayed message will change to the following after they are connected correctly and the StarBoard Software automatically recognises the StarBoard:

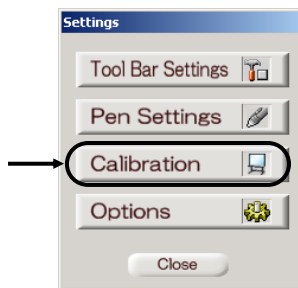


If the display fails to change even after you have checked the connection, another problem may exist.

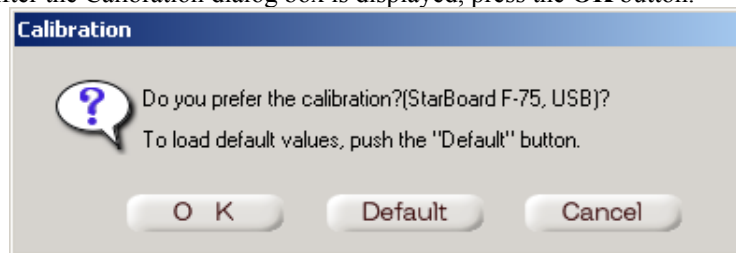
- (6) Next, electronic pen calibration is performed.
  - (1) Select **Settings** from the menu.






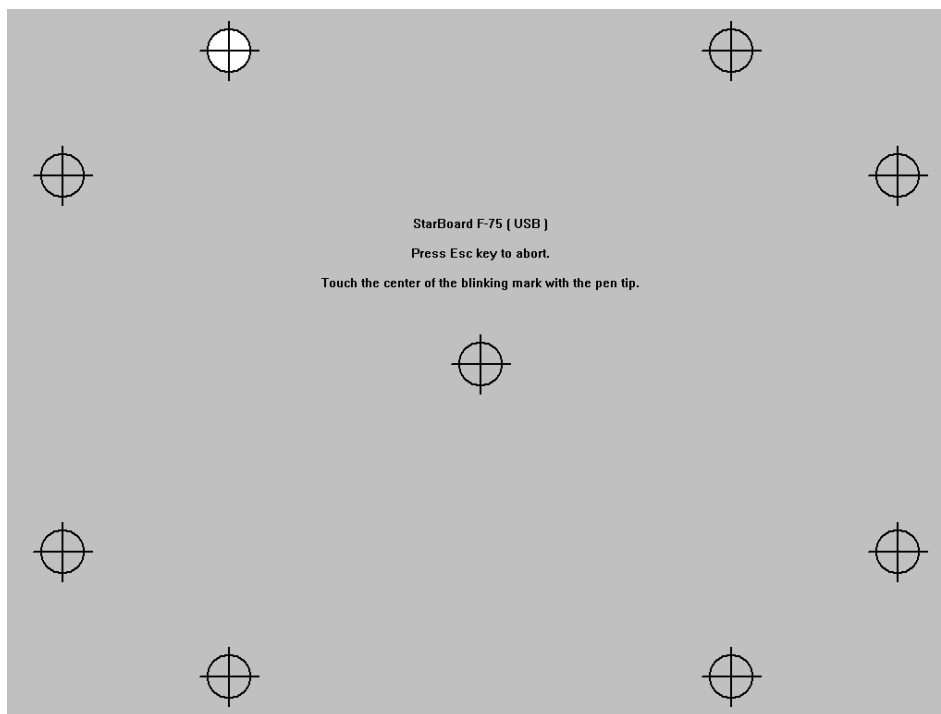
- (2) Select **Calibration** in the Settings dialog box.



- (3) After the Calibration dialog box is displayed, press the **OK** button.



- (4) Use the electronic pen to click sequentially on the centres of the nine  marks displayed on the screen. (Continue pressing for about 1–2 sec. until  changes to green.) If the click is performed correctly,  changes to grey. To restart from scratch, press the **ESC** key and repeat the procedure from the beginning of step (1).



- (5) If calibration was performed correctly, a message box is displayed. Press **OK** to exit calibration.

#### Projection Screen Shape

Even if the screen projected by the projector onto the StarBoard displays keystone distortion, the calibration will be adjusted correctly and provide accurate pen positioning.

For detailed instructions, refer to the online help.





### 3. Appendix

#### A System Specifications

Item		Specification	
Product name		F-75 (Wireless)	F-60 (Wireless)
Model No		K-W033-012	K-W033-014
Input methods		Infrared and Ultrasonic methods	
Wireless transmission method		RLT (remote link technology) method	
Interface to computer	Wired	RS-232C serial	
	Wireless	USB	
Effective screen size (mm)		75 inches, 1,570 (W) × 1,180 (H)	60 inches, 1,265 (W) × 960 (H)
StarBoard dimensions (mm)		1,760 (W) × 1,273 (H) × 117.5 (D)	1,455 (W) × 1,053 (H) × 117.5 (D)
Overall dimensions (including stand) (mm)		1,760 (W) × 1,700 – 2,050 (H) × 620 (D)	1,455 (W) × 1,700 – 2,050 (H) × 620 (D)
IR wavelength		880 nm	
Ultrasonic frequency		40 KHz	
Sampling rate		Approximately 66 points/s	
Accuracy		±1 mm	
Current / input voltage		1.12 A / 9 V	
AC adapter input voltage/ power consumption		100 – 240 V / 6 W	
Weight of main unit/ weight including stand		17.5kg/34.2kg	12.5kg/29.2kg
Bundled software		StarBoard Software, 1 set	
Environmental conditions	Ambient temperature	10 – 35°C	
	Humidity	10 – 80%	
Battery life		Continuous operating time Approximately 100 hours* <sup>1</sup>	
Compatible operating systems		WindowsNT* <sup>2</sup> , Windows98/Me/2000/XP	

\*1 The battery life varies according to the temperature and the usage environment.

\*2 WindowsNT can use only wired connection.

## B Provisions of Product Warranty

1. During the free warranty service period, if a malfunction occurs during normal use, the malfunction will be corrected without charge, according to the provisions of the warranty. Furthermore, if the customer registration card accompanying the warranty is not returned to our company, the customer information will not be registered; so free repairs might be unavailable. After receiving this product, please immediately fill out and return this customer registration card.

2. The warranty coverage is as listed in the following table:

Product Name	Part Name	Warranty Coverage
StarBoard	Digitiser (F-75/F-60)	+
	Power supply	+
	Serial cable	+
	USB wireless receiver	+
Electronic Pen	Electronic Pen	+
Stand		–
Wall-mounting bracket		–
AA alkaline battery		–
Other parts and optional equipment		–

Legend: + → Covered by warranty (excluding wear and physical damage)

– → Not covered by warranty

3. Please refer to the warranty sheet for this product's warranty service period.

4. Even during the warranty period, there will be a repair charge in the following cases:

- (1) If the registration card accompanying the warranty is not returned to our company.
- (2) If the warranty is not presented.
- (3) If specified fields on the registration card accompanying the warranty are not completed, or if the wording has been changed without authorisation.
- (4) The warranty applies only to the original purchasers. (It does not apply to a third party to whom the customer resold this product.)
- (5) In the event of a malfunction or damage resulting from the customer's improper handling (e.g., a fall, impact, etc., caused by the customer during transportation or movement).
- (6) In the event of problems resulting from handling contrary to the handling and precautions mentioned in this user's guide.
- (7) In the event of failure or damage resulting from abnormal voltages, pollution or other natural disasters (e.g., fire, earthquake, and lightning).

- (8) In the event of a malfunction in this product caused by the connection to this product of equipment other than the equipment specified by our company.
  - (9) In the event that there is no abnormality in this product, but a defect in a part other than this product was detected or remedied.
  - (10) In the event of ordinary wear and tear, wear, deterioration, etc., of consumables, even during normal use.
5. If this product malfunctions, review the contents of this user's guide. If the problems remain irreparable, contact the dealer. The dealer will determine whether or not the product must be repaired, so please contact them. If the customer sends the product to our company without RMA (Return Merchandise Authorisation) number, it might not be covered by warranty.
  6. As a rule, the customer is responsible for shipping charges required to send all or part of the product for repair, etc. Our company will assume responsibility for the return shipping to the customer.
  7. This warranty does not cover labour fees for repair-associated equipment assembly or disassembly.
  8. Incidental damage caused by the failure of this product (e.g., loss of profit that should have resulted from the use of this product) is outside the scope of this warranty.
  9. The aforementioned provisions define this warranty, and they supersede those of all express or implied warranties that include legal defect liability.